

## PVC-U Double union ball valves BV

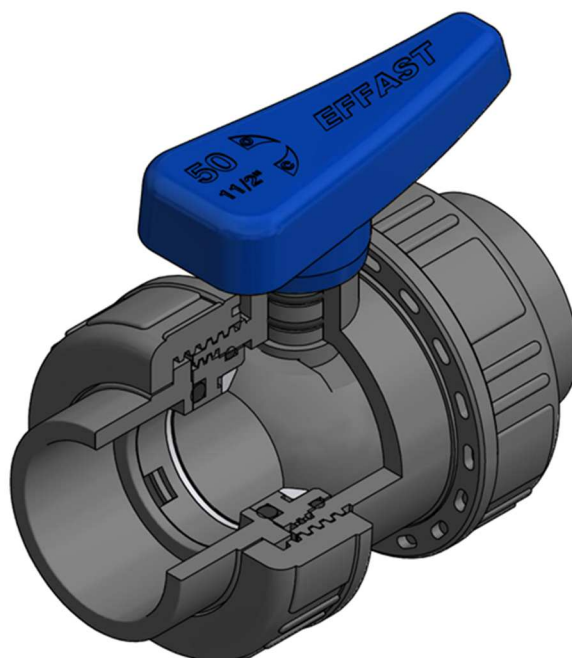
### PVC-U Valvole a sfera radiali BV

Rev. Mar 2020

BV valve is a PVC-U double union ball valve ideal for applications in the field of agriculture, swimming pools, light water treatment and non-critical chemicals.

*La valvola BV è una valvola a sfera radiale in PVC-U è ideale per applicazioni in agricoltura, piscine, trattamento delle acque e prodotti chimici non critici.*

- Full bore ball locked in place on both sides.  
*Sfera di tipo flottante a passaggio totale e bloccata da entrambi i lati.*
- Machined ball to ensure the best sealing.  
*Sfera lavorata per garantire la miglior tenuta.*
- Sealing adjustment and disassembling by key incorporated on the handle.  
*Possibilità di regolazione del supporto guarnizioni tramite la chiave incorporata nella maniglia.*
- PVC-U compound fit for contact with potable water according to European, UK and USA regulations.  
*PVC-U idoneo al contatto con acqua potabile secondo le normative in vigore in Europa, UK, e USA.*
- Marine Application approval.  
*Certificata per applicazioni navali.*
- Compliant with the requirements of Pressure Equipment Directive 2014/68/EU, Annex III, Module A2.  
*Conforme ai requisiti della Direttiva Europea 2014/68/EU sulle attrezzature in pressione, Allegato III, Modulo A2.*



#### TECHNICAL FEATURES / CARATTERISTICHE TECNICHE

NOMINAL PRESSURE / PRESSIONE NOMINALE	PN 16 (20°C)
DIMENSIONS / DIMENSIONI	DN 15 ÷ DN 100 (d.16 ÷ 110 mm – 3/8” ÷ 4”)
VALVE MATERIAL / MATERIALE VALVOLA	PVC-U
SEALS MATERIAL / MATERIALE GUARNIZIONI	O-rings: EPDM / O-ring: EPDM Ball seats: PE / Tenute della sfera: PE
TEMPERATURE RANGE / TEMPERATURA	0°C ÷ 60°C
COUPLING STANDARDS / GIUNZIONI	Solvent welded sockets: metric, BS, ASTM, JIS / Manicotti incollaggio: metrici, BS, ASTM, JIS Threaded sockets: BSPP, NPT / Manicotti filettati: BSPP, NPT Compression joints / Giunti a compressione
CONTROL OPTIONS / OPZIONI DI COMANDO	Hand-operated / Manuale



Certifications and approvals: only for items declared on Official Listing or certificates. / Certificazioni: solo per gli articoli dichiarati nelle Official Listing o nei certificati stessi.

Polypipe Italia  
Loc. Pianmercato 5C-5D-5H, 16044 Cicagna (GE), Italy  
Tel: +39 0185 92399 E-mail: [support@effast.com](mailto:support@effast.com)

[www.effast.com](http://www.effast.com)

# EFFAST

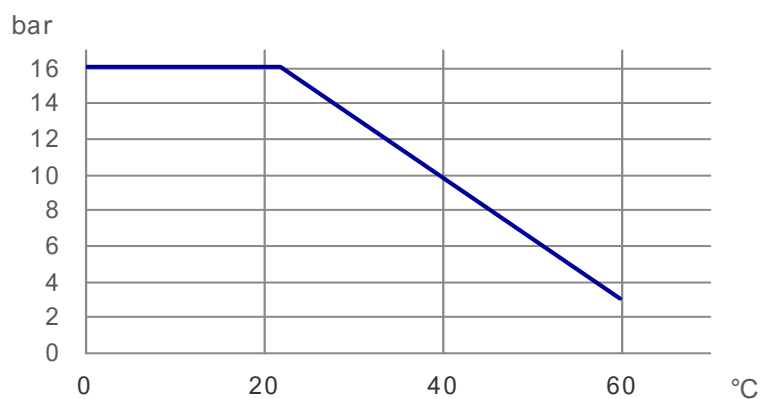
## PVC-U Double union ball valves BX

### PVC-U Valvole a sfera radiali BX

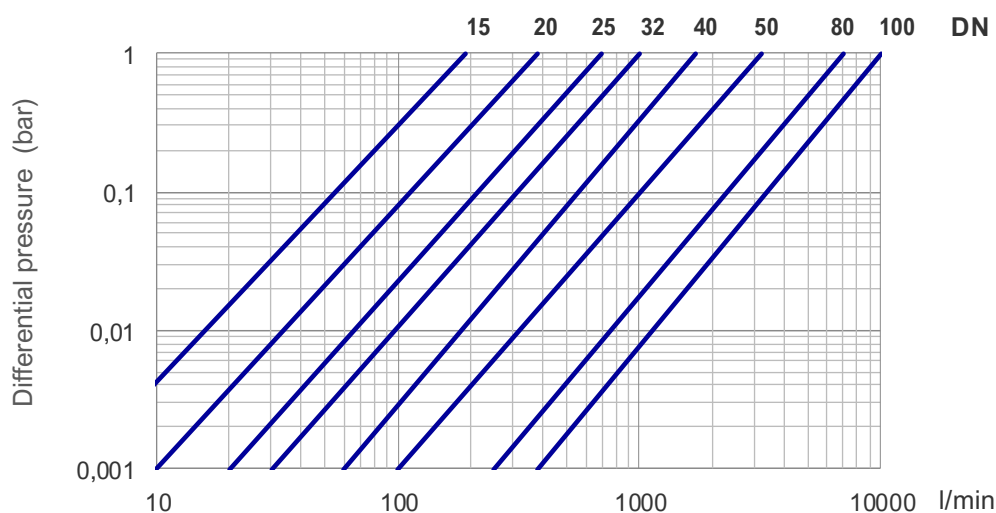
#### Operating pressure / Pressione di esercizio

Maximum operating pressure for PVC-U: according to temperature as shown in graph.

Massima pressione di esercizio per il PVC-U: secondo quanto indicato nel grafico in figura.



#### Pressure loss / Perdite di carico



#### Flow rate coefficient Kv100 / Coefficiente di flusso Kv100

At  $\Delta p = 1$  bar / Per  $\Delta p = 1$  bar

DN	DN 15	DN 20	DN 25	DN 32	DN 40	DN 50	DN 80	DN 100
l/min	190	380	700	1000	1700	3200	7000	10000

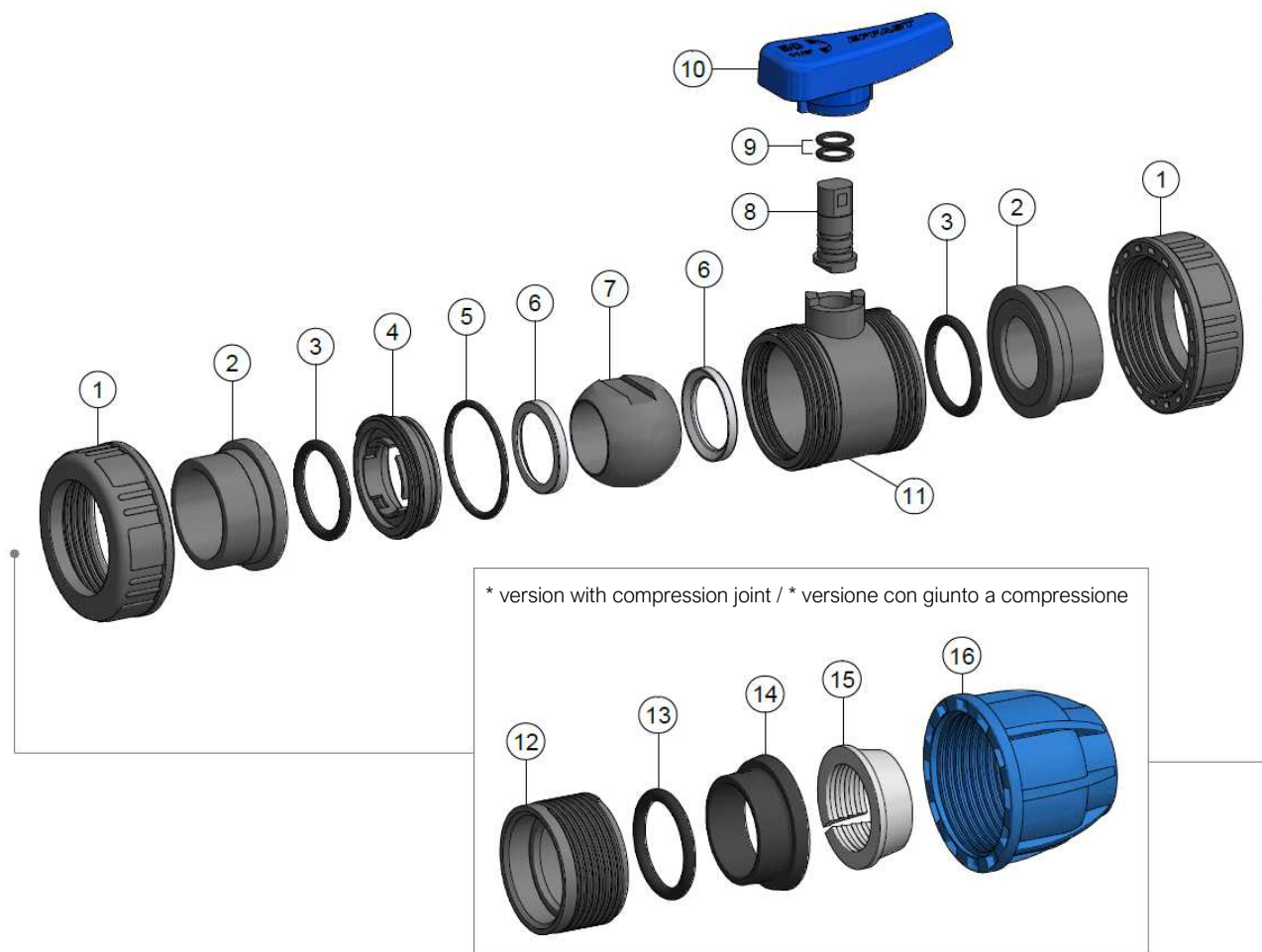
#### Torque force at maximum pressure rate / Coppia di chiusura alla massima pressione

DN	DN 15	DN 20	DN 25	DN 32	DN 40	DN 50	DN 80	DN 100
Nm	1.5	2	3	5	7	10	24	30

# PVC-U Double union ball valves BV

## PVC-U Valvole a sfera radiali BV

### Components / Componenti



\* version with compression joint / \* versione con giunto a compressione

n.	COMPONENT	MATERIAL	Qty
1	Nut / Ghiera	PVC-U	2
2	Socket / Manicotto	PVC-U	2
3	Socket O-ring / O-ring manicotto	EPDM	2
4	Gasket carrier / Supporto guarnizioni	PVC-U	1
5	Body O-ring / O-ring corpo	EPDM	1
6	Ball seat / Tenuta sfera	PE	2
7	Ball / Sfera	PVC-U	1
8	Stem / Asta	PVC-U	1

n.	COMPONENT	MATERIAL	Qty
9	Stem O-ring / O-ring asta	EPDM	2
10	Handle / Maniglia	PVC-U	1
11	Body / Corpo	PVC-U	1
12*	Adaptor / Adattatore	PVC-U	2
13*	Joint O-ring / O-ring giunto	NBR	2
14*	Blocking bush / Bussola di bloccaggio	PP	2
15*	Clinching ring / Anello di graffaggio	POM	2
16*	Joint nut / Ghiera giunto	PP	2



NSF and WRAS certifications: only for valves with EPDM seals. Certifications and approvals are related to items declared on Official Listing or certificates. /  
 Certificazioni NSF e WRAS: valide solo per le valvole con guarnizioni EPDM. Le certificazioni si riferiscono ai prodotti dichiarati nelle Official Listing o sui certificati stessi.

## PVC-U Double union ball valves BV

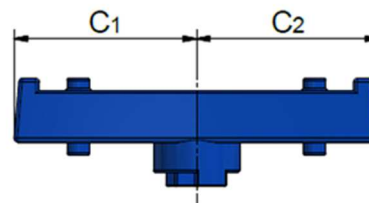
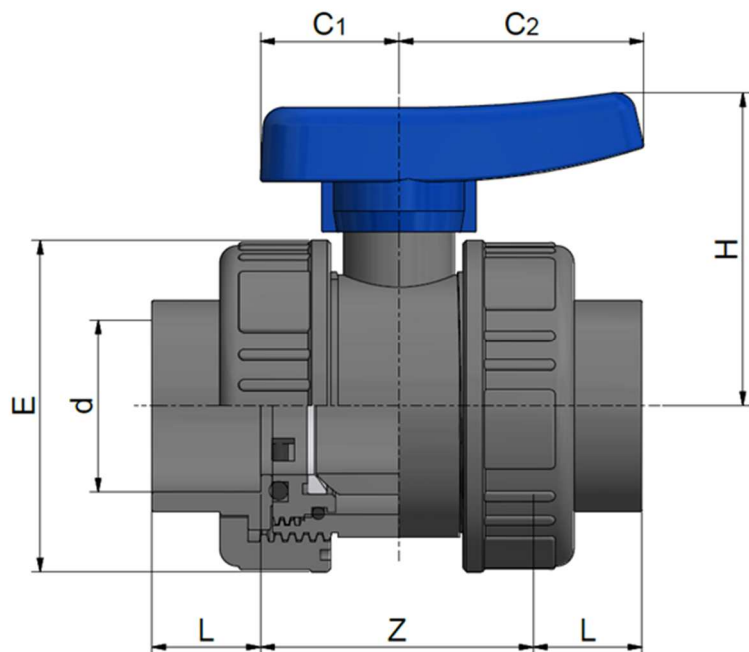
### PVC-U Valvole a sfera radiali BV

#### METRIC SOLVENT WELDED SOCKETS

#### MANICOTTI METRICI PER INCOLLAGGIO

Rev. Feb 2020

- Seals: EPDM / Guarnizioni: EPDM
- Ball seats: PE / Tenute della sfera: PE



Handle d.75-110 / Maniglia d.75-110

Code EPDM	d	DN	L	Z	H	C1	C2	E	PN	Weight (g)
BDRBVD0160	16	15	14,5	51	50	22	42	49	16	140
BDRBVD0200	20	15	16	48	50	22	42	49	16	140
BDRBVD0250	25	20	19	54	58	24	49	60	16	200
BDRBVD0320	32	25	22	62	69	26	59	69	16	300
BDRBVD0400	40	32	26	69	76	32	65	80	16	450
BDRBVD0500	50	40	31	81	92	40	71	96	16	690
BDRBVD0630	63	50	39	94	104	45	79	116	16	1150
BDRBVD0750	75	80	44	141	145	84,5	84,5	167	16	3050
BDRBVD0900	90	80	51	140	145	84,5	84,5	167	16	3200
BDRBVD1100	110	100	61	162	170	102	102	209	16	5400



NSF and WRAS certifications: only for valves with EPDM seals. Certifications and approvals are related to items declared on Official Listing or certificates. /  
 Certificazioni NSF e WRAS: valide solo per le valvole con guarnizioni EPDM. Le certificazioni si riferiscono ai prodotti dichiarati nelle Official Listing o sui certificati stessi.

# PVC-U Double union ball valves BV

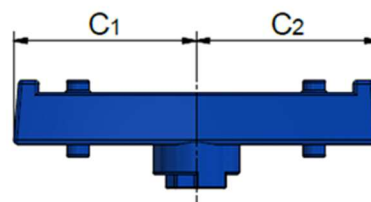
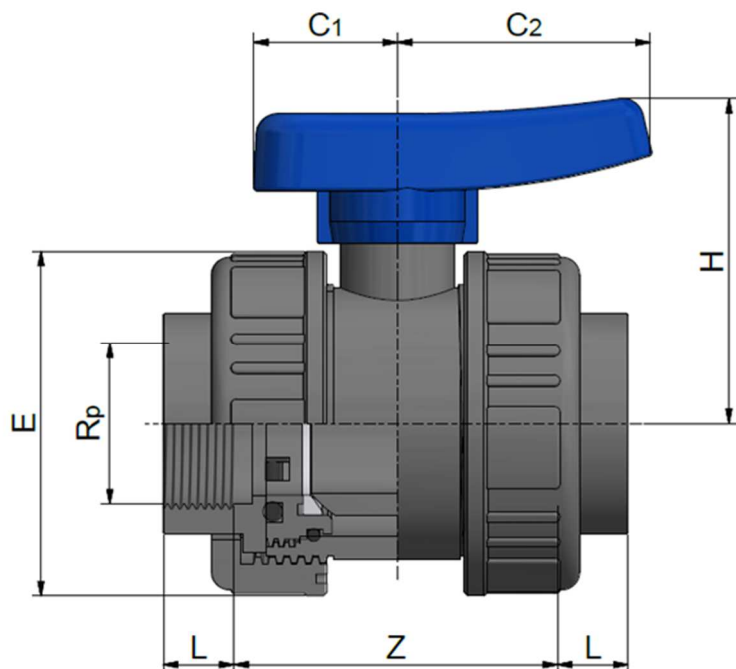
## PVC-U Valvole a sfera radiali BV

### BSPF THREADED SOCKETS

### MANICOTTI FILETTATI BSPP

Rev. Feb 2020

- Thread according to ISO 228-1 / Filettatura secondo ISO 228-1
- Seals: EPDM / Guarnizioni: EPDM
- Ball seats: PE / Tenute della sfera: PE



Handle d.75-110 / Maniglia d.75-110

Code EPDM	Rp	DN	L min	Z max	H	C1	C2	E	PN	Weight (g)
BERBVE016A	3/8"	15	11,4	57,2	50	22	42	49	16	140
BERBVE020B	1/2"	15	15	50	50	22	42	49	16	140
BERBVE025C	3/4"	20	16,3	59,4	58	24	49	60	16	200
BERBVE032D	1"	25	19,5	67	69	26	59	69	16	300
BERBVE040E	1"1/4	32	21,4	78,2	76	32	65	80	16	450
BERBVE050F	1"1/2	40	21,4	87,2	92	40	71	96	16	690
BERBVE063G	2"	50	25,7	98,6	109	45	79	116	16	1150
BERBVE075H	2"1/2	80	30,2	168,6	145	84,5	84,5	167	16	3050
BERBVE090I	3"	80	33,3	146,4	145	84,5	84,5	167	16	3200
BERBVE110L	4"	100	39,3	205,4	170	102	102	179	16	5400



NSF and WRAS certifications: only for valves with EPDM seals. Certifications and approvals are related to items declared on Official Listing or certificates. /  
 Certificazioni NSF e WRAS: valide solo per le valvole con guarnizioni EPDM. Le certificazioni si riferiscono ai prodotti dichiarati nelle Official Listing o sui certificati stessi.

# PVC-U Double union ball valves BV

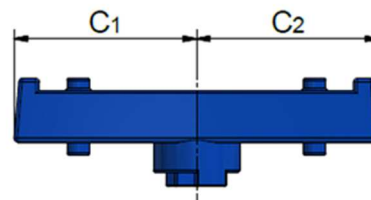
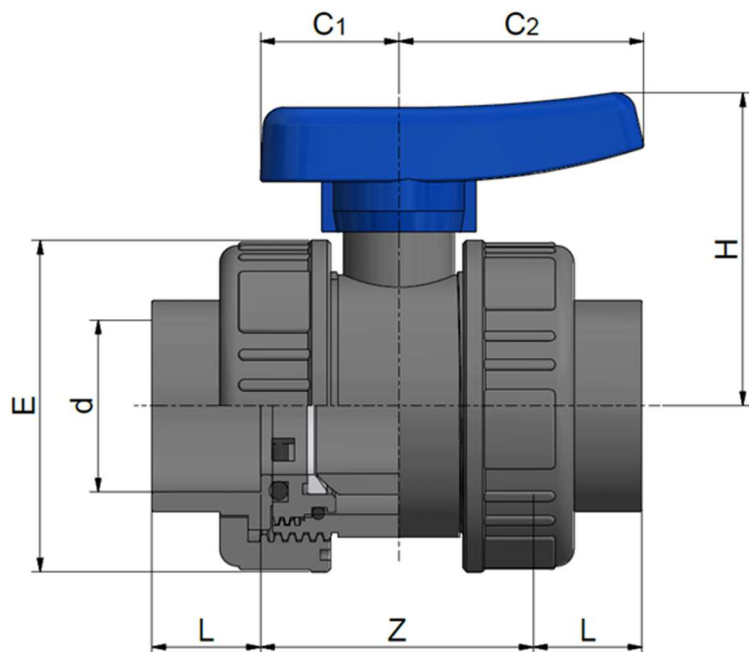
## PVC-U Valvole a sfera radiali BV

### BS SOLVENT WELDED SOCKETS

#### MANICOTTI BS PER INCOLLAGGIO

Rev. Feb 2020

- Seals: EPDM / Guarnizioni: EPDM
- Ball seats: PE / Tenute della sfera: PE



Handle d.75-110 / Maniglia d.75-110

Code EPDM	d	DN	L	Z	H	C1	C2	E	PN	Weight (g)
BARBVA0160	3/8"	15	14,5	51	50	22	42	49	16	140
BARBVA0200	1/2"	15	16	48	50	22	42	49	16	140
BARBVA0250	3/4"	20	19	54	58	24	49	60	16	200
BARBVA0320	1"	25	22	62	69	26	59	69	16	300
BARBVA0400	1"1/4	32	26	69	76	32	65	80	16	450
BARBVA0500	1"1/2	40	31	81	92	40	71	96	16	690
BARBVA0630	2"	50	39	94	104	45	79	116	16	1150
BARBVA0750	2"1/2	80	44	141	145	84,5	84,5	167	16	3050
BARBVA0900	3"	80	51	140	145	84,5	84,5	167	16	3200
BARBVA1100	4"	100	61	162	170	102	102	209	16	5400



NSF and WRAS certifications: only for valves with EPDM seals. Certifications and approvals are related to items declared on Official Listing or certificates. /  
 Certificazioni NSF e WRAS: valide solo per le valvole con guarnizioni EPDM. Le certificazioni si riferiscono ai prodotti dichiarati nelle Official Listing o sui certificati stessi.

All descriptions and illustrations in this publication are intended for guidance only and shall not constitute a 'sale by description'. All dimensions given are nominal, while changes can be done on the information, products and specifications from time to time for a variety of reasons, without prior notice. The information in this publication is provided 'as is' on the revision date stated on the sheet. Updates will not be issued automatically. This information is not intended to have any legal effect, whether by way of advice, representation or warranty (express or implied). We accept no liability whatsoever (to the extent permitted by law) if you place any reliance on this publication you must do so at your own risk. All rights reserved. Copyright in this publication belongs to Polypipe Italia and all such copyright may not be used, sold, copied or reproduced in whole or part in any manner in any media to any person without prior consent. **EFFAST** is a registered trademark."