

# Vorpa U-BOLT

Heavy duty pipe clamp

Products group



## Characteristics

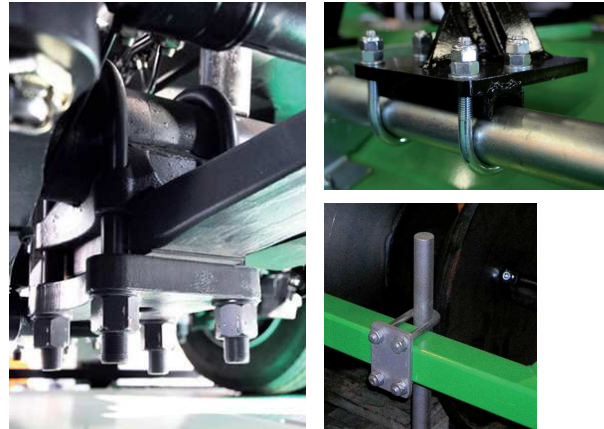
- Special U-shaped threaded screw. Suitable for clamping circular section elements of various sizes, from small diameter tubes to big pipes.
- Made out of coated steel.
- ISO metric thread.
- Accessories for assembling included.
- In line with 2002/95/CE (RoHS) regulations.

## Materials

- S275JR EN 10025 (Fe 430)

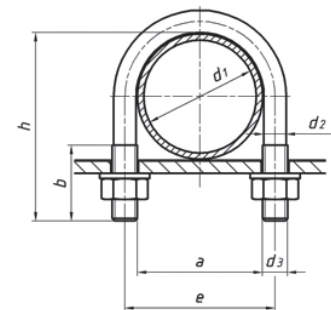
## Accessories

- No. 2 hexagonal nuts UNI 5588 class 8
- No. 2 plain washers UNI 6592 class 100HV white zinc-plated



Technical data

| Code | Description |  | h   | b  | e   | a   | d <sub>1</sub> | d <sub>2</sub> | d <sub>3</sub> |
|------|-------------|--|-----|----|-----|-----|----------------|----------------|----------------|
|      |             |  | mm  | mm | mm  | mm  | mm             | mm             | mm             |
| 5200 | U-BOLT 18   |  | 37  | 19 | 24  | 18  | 3/8"           | 5,3            | M6             |
| 5201 | U-BOLT 22   |  | 43  | 25 | 28  | 22  | 1/2"           | 5,3            | M6             |
| 5202 | U-BOLT 28   |  | 47  | 25 | 33  | 27  | 3/4"           | 5,3            | M6             |
| 5203 | U-BOLT 35   |  | 55  | 25 | 40  | 34  | 1"             | 5,3            | M6             |
| 5204 | U-BOLT 40   |  | 63  | 25 | 49  | 43  | 1"1/4"         | 5,3            | M6             |
| 5205 | U-BOLT 48   |  | 73  | 30 | 57  | 49  | 1"1/2"         | 7,1            | M8             |
| 5206 | U-BOLT 60   |  | 85  | 30 | 69  | 61  | 2"             | 7,1            | M8             |
| 5207 | U-BOLT 75   |  | 101 | 30 | 85  | 77  | 2"1/2"         | 7,1            | M8             |
| 5208 | U-BOLT 90   |  | 113 | 30 | 97  | 89  | 3"             | 7,1            | M8             |
| 5209 | U-BOLT 100  |  | 130 | 35 | 110 | 102 | 3"1/2"         | 7,1            | M8             |
| 5210 | U-BOLT 115  |  | 142 | 35 | 123 | 115 | 4"             | 7,1            | M8             |
| 5211 | U-BOLT 140  |  | 169 | 35 | 148 | 140 | 5"             | 7,1            | M8             |
| 5212 | U-BOLT 168  |  | 202 | 45 | 178 | 168 | 6"             | 8,9            | M10            |
| 5213 | U-BOLT 220  |  | 254 | 45 | 230 | 220 | 8"             | 8,9            | M10            |



- h** = pipe clamp height  
**b** = metric thread  
**a** = pipe clamp width  
**e** = distance  
**d<sub>1</sub>** = for pipe diameter  
**d<sub>2</sub>** = diameter  
**d<sub>3</sub>** = thread